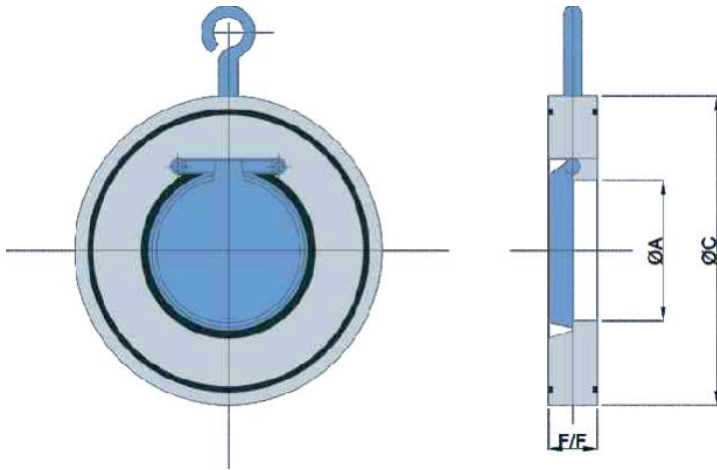


# WAFER TYPE SWING CHECK VALVE



SIZE		A	F/F	C				
MM	INCH			PN10	PN16	BS10D	BS10E	ANSI#150
25	1	14	19	72	72	69	69	64
40	1½	22	19	93	93	86	86	86
50	2	30	19	108	108	97	97	104
65	2½	40	19	128	128	110	110	123
80	3	52	19	143	143	129	129	136
100	4	71	19	163	163	161	161	174
125	5	95	19	193	193	193	193	196
150	6	114	19	219	219	218	215	221
200	8	157	28.5	274	274	274	272	278
250	10	195	28.5	329	329	335	335	339
300	12	230	38	379	385	385	383	409
350	14	270	44.5	438	444	446	446	449
400	16	310	51	489	496	496	496	512
450	18	360	60.5	538	555	559	559	545
500	20	406	63.5	593	696	616	616	605
600	24	490	70	695	799	727	724	714

(All dimensions are in mm)

**NOTE:** Due to continuous improvements, dimensions are subject to change. Please confirm the dimensions while placing orders.

### Material:

Body: CI, WCB, CF8, CF8M

Disc: MS, CF8, CF8M

Seat: Nitrile / EPDM / Viton / Silicon / PTFE

Handle: Sheet metal

### Salient features:

1. Design as per API 594
2. Inspection & testing as per API 598
3. Powder coated
4. Mounting requires minimum space
5. Easy to install