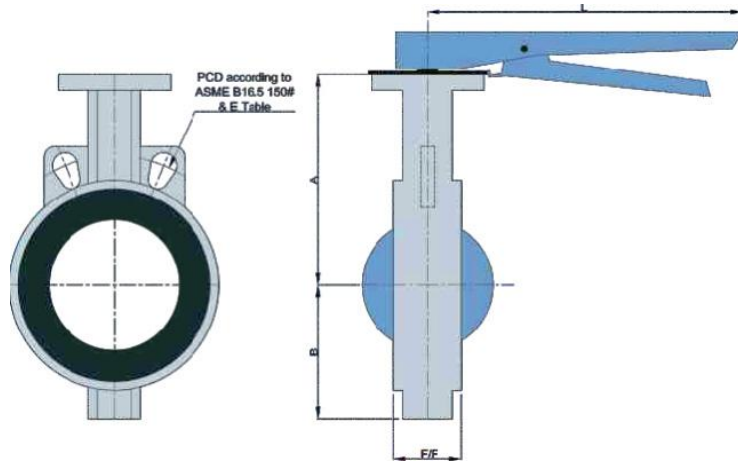


# WAFER TYPE BUTTERFLY VALVE (Industrial Pattern)



SIZE		F/F	A	B	L	MOUNTING FLANGE PCD
MM	INCH					
40	1 1/2"	33	97	57	215	F05
50	2"	43	112.9	59.5	215	F05
65	2 1/2"	46	111	72	215	F05
80	3"	46	134	74	215	F05
100	4"	52	153	90.75	263	F07
125	5"	56	166.5	108.9	263	F07
150	6"	56	189.5	121.9	263	F07
200	8"	60	233	154	356	F07
250	10"	68	277	203	GEAR OPERATED	F10
300	12"	78	305	231		F10
350	14"	92	320	272		F12
400	16"	102	385	302		F14
450	18"	114	405	325		F14
500	20"	127	465	405		F16
600	24"	154	540	460		F16

(All dimensions are in mm)

#### NOTE:

- Dimensions 'A', 'B' and 'L' given are approximate values.
- Due to continuous improvements, dimensions are subject to change. Please confirm the dimensions while placing orders.

#### Material:

Body: CI, WCB, CF8, CF8M

Disc: CI, SG IRON, CF8, CF8M

Seat: Nitrile / EPDM / Viton / Silicon / Hypalon

Handle: Sheet metal

#### Salient features:

1. Design standard: As per IS 13095, BS 5155, API 609
2. Testing standard: As per API 598, ISO 5208
3. Available in Gear, Pneumatic & Electric actuation.
4. Actuator Ready Series for on-site actuation.
5. Low Torque.
6. Aesthetic looks.