

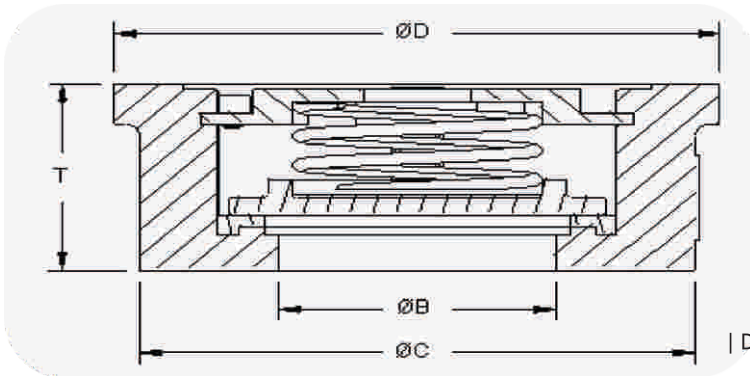
Non-Slam Check Valve



KAVAATA Non-Slam Check Valves are made from Investment Castings, designed and manufactured as per **BS7438/ ASME 16.34**. The valve can be supplied in sizes like **1/2"** to **4"**. The common materials of construction are **ASTM A216 Gr WCB (CS)**, **ASTM A351 Gr CF8 (SS304)** and **ASTM A351 Gr CF8M (SS316)**.

Non-slam check valves are lift type non return valves used in pipelines to prevent backflow of the fluids with elimination of water hammer effect and hence reducing resultant pressure swings, vibrations and damage. Their application is found throughout the chemical processing industry, steam condensate systems, power generation industry, textile industry, water treatment, boilers etc. These valves are used in process line, hot & cold water system, heating system, oil lines etc

Technical Specifications

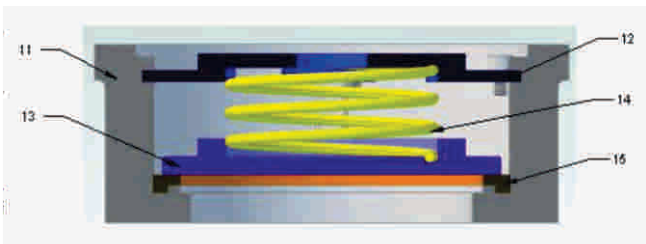


Size	ØB	ØD	ØC	T
1/2"	15	43	38	16
3/4"	20	53	45	19
1"	25	63	55	22
1 1/2"	40	85	79	31.5
2"	50	95	93	40
3"	80	133	128	50
4"	100	154	148	60

All dimensions are in mm

| Due to continuous improvements, dimensions are subject to change

Technical Data



Part No.	Part Name	Material
11	Body	ASTM A216 Gr WCB, ASTM A315 Gr CF8, ASTM A315 Gr CF8M
12	Cover	SS304/ SS316
13	Disc	SS304/ SS316
14	Spring	SS304/ SS316
15	Seal	PTFE

Valve Standards

Pressure Rating	PN 100
Design Standard	ASME B-16.34/ BS 7438
Test Pressure	API 598