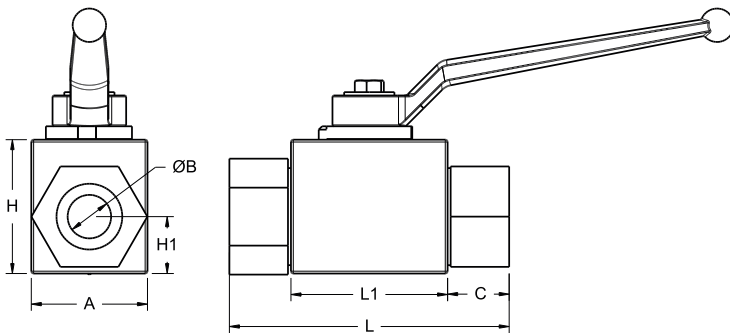


High Pressure Ball Valve



Lines operating under high pressure, typically around 300 bar, require high pressure ball valves for ON/OFF application. These valves are specially designed to withstand continuous use under these severe conditions. The Material of Construction is **MS & Stainless Steel**. These type valves can be supplied in round and square body.

Technical Specifications



| SIZE | A | B | C | H | H1 | L | L1 | MAX WORKING PRESSURE |
|------------------|----|----|------|----|------|-----|----|----------------------|
| G $\frac{1}{2}$ | 30 | 12 | 15 | 40 | 17 | 82 | 51 | 320/500 bar |
| G $\frac{3}{4}$ | 41 | 19 | 16 | 55 | 24 | 92 | 60 | 320 bar |
| G1 | 50 | 24 | 22.5 | 60 | 25.5 | 115 | 70 | 320 bar |
| G1 $\frac{1}{2}$ | 75 | 38 | 20 | 94 | 47 | 130 | 91 | 320 bar |

All dimensions are in mm

| Due to continuous improvements, dimensions are subject to change

| Round body for 500 Bar pressure

Technical Data

| PART NAME | MATERIAL |
|----------------------|----------------------|
| Body /Adapter | MS / Stainless Steel |
| Ball | SS304 |
| Seat /Stem Seat | POM |
| Stem | MS / Stainless Steel |
| Bolt /Washer | MS |
| Locker Plate | MS ZINC PLATED |
| Body Seal /Stem Seal | Buna- N |
| Handle | WCB |

VALVE STANDARDS

| | | | |
|------------------|--|---------------------------|------------------|
| Sizes | $\frac{1}{2}$ " , $\frac{3}{4}$ " , 1" , 1 $\frac{1}{2}$ " | Bore | Full Bore |
| Design Standard | BS5351/ ISO17292 | Actuator mounting | Optional |
| Working Pressure | 320 bar | Max Operation Temperature | 80°C |
| Testing Pressure | 450 bar | End Connections | Screwed BSP/ NPT |